

V27, K5.6



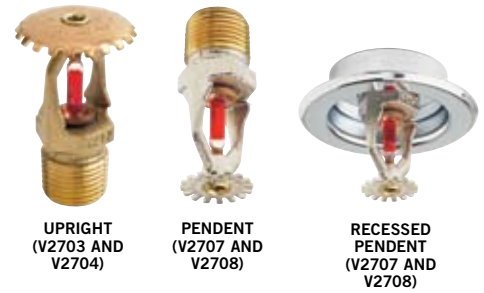
Standard Spray; Upright, Pendent and Recessed Pendent

MODELS/S.I.N. V2703 AND V2707 STANDARD RESPONSE
MODELS/S.I.N. V2704 AND V2708 QUICK RESPONSE

These Model V27 standard spray sprinklers are designed to produce a hemispherical spray pattern for standard commercial applications. They are available with either standard or quick response bulbs. The design incorporates state-of-the-art, heat responsive, frangible glass bulb design (standard or quick response) for prompt, precise operation.

The die cast frame is more streamlined and attractive than traditional sand cast frames. It is cast with a hex-shaped wrench boss to allow easy tightening from many angles, reducing assembly effort. This sprinkler is available in various temperature ratings (see chart on page 2) and finishes to meet many design requirements.

The recessed pendent should be utilized with a Model V27 recessed escutcheon which provides up to 3/4" / 19 mm of adjustments.



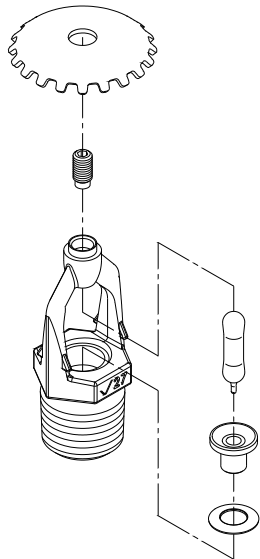
SPRINKLER OPERATION

The operating mechanism is a frangible glass bulb which contains a heat responsive liquid. During a fire, the ambient temperature rises causing the liquid in the bulb to expand. When the ambient temperature reaches the rated temperature of the sprinkler, the bulb shatters. As a result, the waterway is cleared of all sealing parts and water is discharged towards the deflector. The deflector is designed to distribute the water in a pattern that is most effective in controlling the fire.

COVERAGE

For coverage area and sprinkler placement, refer to NFPA 13 standards.

TECHNICAL SPECIFICATIONS



Exaggerated for clarity

Models/S.I.N.: V2703, V2704, V2707, V2708

Style: Pendent, Upright or Recessed Pendent

Nominal Orifice Size: 1/2" / 13 mm

K-Factor: 5.6 Imp./8.1 S.I. ^

Nominal Thread Size: 1/2" NPT / 15 mm

Max. Working Pressure:

175 psi / 1200 kPa FM Global

250 psi / 1725 kPa UL

Factory Hydrostatic Test:

100% @ 500 psi / 3450 kPa

Min. Operating Pressure: 7 psi / 48 kPa

Temperature Rating: See charts on page 2 & 3.

MATERIAL SPECIFICATIONS

Upright Deflector: Bronze per UNS C22000

Pendent Deflector: Bronze per UNS C51000

Bulb: Glass with glycerin solution.

Bulb Nominal Diameter:

- Standard: 5.0 mm
- Quick Response: 3.0 mm

Load Screw: Bronze per UNS C65100

Pip Cap: Bronze per UNS C65100

Spring: Beryllium nickel

Seal: Teflon* tape

Frame: Die cast brass 65-30

Lodgement Spring: Stainless steel per UNS S30200

ACCESSORIES

Installation Wrench:

- Open End: V27
- Recessed: V27-2

Finishes:

- Plain brass
- Chrome plated
- White painted**
- Black painted**
- Custom painted**
- Proprietary nickel Teflon* coating**

For cabinets and other accessories refer to separate sheet.

NOTE: Weather resistant recessed escutcheons available upon request.

^ For K-Factor when pressure is measured in Bar, multiply S.I. units by 10.0.

* Teflon is a registered trademark of Dupont Co.

**UL Listed for corrosion resistance in all configurations.

JOB/OWNER

System No. _____

Location _____

CONTRACTOR

Submitted By _____

Date _____

ENGINEER

Spec Sect _____ Para _____

Approved _____

Date _____

www.victaulic.com

VICTAULIC IS A REGISTERED TRADEMARK OF VICTAULIC COMPANY. © 2008 VICTAULIC COMPANY. ALL RIGHTS RESERVED.

REV_F



V27, K5.6

Standard Spray; Upright, Pendent and Recessed Pendent

MODELS/S.I.N. V2703 AND V2707 STANDARD RESPONSE
MODELS/S.I.N. V2704 AND V2708 QUICK RESPONSE

APPROVALS/LISTINGS	Model							
	V2703	V2707	V2707	V2704	V2708	V2708	V2710	
Orifice Size (inches)	½"	½"	½"	½"	½"	½"	½"	
Orifice Size (mm)	13	13	13	13	13	13	13	
Nominal K Factor Imperial	5.6	5.6	5.6	5.6	5.6	5.6	5.6	
Nominal K Factor S.I. [^]	8.1	8.1	8.1	8.1	8.1	8.1	8.1	
Response	Standard	Standard	Standard	Quick	Quick	Quick	Quick	
Deflector Type	Upright	Pendent	Recessed Pendent	Upright	Pendent	Recessed Pendent	Recessed Pendent	
Adjustment			up to ¾"			up to ½"	up to ½"	
Approved Temperature Ratings F°/C° by Agency‡	Model							
UL	135°F/57°C 155°F/68°C 175°F/79°C 200°F/93°C 286°F/141°C 360°F/182°C	135°F/57°C 155°F/68°C 175°F/79°C 200°F/93°C 286°F/141°C 360°F/182°C	135°F/57°C 155°F/68°C 175°F/79°C 200°F/93°C 286°F/141°C	135°F/57°C 155°F/68°C 175°F/79°C 200°F/93°C 286°F/141°C	135°F/57°C 155°F/68°C 175°F/79°C 200°F/93°C 286°F/141°C	135°F/57°C 155°F/68°C 175°F/79°C 200°F/93°C 286°F/141°C	135°F/57°C 155°F/68°C 175°F/79°C 200°F/93°C	135°F/57°C 155°F/68°C 175°F/79°C 200°F/93°C
ULC	135°F/57°C 155°F/68°C 175°F/79°C 200°F/93°C 286°F/141°C 360°F/182°C	135°F/57°C 155°F/68°C 175°F/79°C 200°F/93°C 286°F/141°C 360°F/182°C	135°F/57°C 155°F/68°C 175°F/79°C 200°F/93°C 286°F/141°C	135°F/57°C 155°F/68°C 175°F/79°C 200°F/93°C 286°F/141°C	135°F/57°C 155°F/68°C 175°F/79°C 200°F/93°C 286°F/141°C	135°F/57°C 155°F/68°C 175°F/79°C 200°F/93°C 286°F/141°C	135°F/57°C 155°F/68°C 175°F/79°C 200°F/93°C	135°F/57°C 175°F/79°C 200°F/93°C
FM #	135°F/57°C 155°F/68°C 175°F/79°C 200°F/93°C 286°F/141°C 360°F/182°C	135°F/57°C 155°F/68°C 175°F/79°C 200°F/93°C 286°F/141°C 360°F/182°C	135°F/57°C 155°F/68°C 175°F/79°C 200°F/93°C	135°F/57°C 155°F/68°C 175°F/79°C 200°F/93°C 286°F/141°C	135°F/57°C 155°F/68°C 175°F/79°C 200°F/93°C 286°F/141°C	135°F/57°C 155°F/68°C 175°F/79°C 200°F/93°C 286°F/141°C	135°F/57°C 155°F/68°C 175°F/79°C 200°F/93°C	None
NYC/MEA # 62-99-E	135°F/57°C 155°F/68°C 175°F/79°C 200°F/93°C 286°F/141°C 360°F/182°C	135°F/57°C 155°F/68°C 175°F/79°C 200°F/93°C 286°F/141°C 360°F/182°C	135°F/57°C 155°F/68°C 175°F/79°C 200°F/93°C 286°F/141°C	135°F/57°C 155°F/68°C 175°F/79°C 200°F/93°C 286°F/141°C	135°F/57°C 155°F/68°C 175°F/79°C 200°F/93°C 286°F/141°C	135°F/57°C 155°F/68°C 175°F/79°C 200°F/93°C 286°F/141°C	135°F/57°C 155°F/68°C 175°F/79°C 200°F/93°C	135°F/57°C 155°F/68°C 175°F/79°C 200°F/93°C
CSFM # 7690-0531:112	135°F/57°C 155°F/68°C 175°F/79°C 200°F/93°C 286°F/141°C 360°F/182°C	135°F/57°C 155°F/68°C 175°F/79°C 200°F/93°C 286°F/141°C 360°F/182°C	135°F/57°C 155°F/68°C 175°F/79°C 200°F/93°C 286°F/141°C	135°F/57°C 155°F/68°C 175°F/79°C 200°F/93°C 286°F/141°C	135°F/57°C 155°F/68°C 175°F/79°C 200°F/93°C 286°F/141°C	135°F/57°C 155°F/68°C 175°F/79°C 200°F/93°C 286°F/141°C	135°F/57°C 155°F/68°C 175°F/79°C 200°F/93°C	135°F/57°C 155°F/68°C 175°F/79°C 200°F/93°C
LPCB	135°F/57°C 155°F/68°C 175°F/79°C 200°F/93°C 286°F/141°C 360°F/182°C	135°F/57°C 175°F/79°C 200°F/93°C	135°F/57°C 155°F/68°C 175°F/79°C 200°F/93°C 286°F/141°C	135°F/57°C 175°F/79°C 200°F/93°C		None	None	None
VNIPO	135°F/57°C 155°F/68°C 175°F/79°C 200°F/93°C 286°F/141°C 360°F/182°C	135°F/57°C 155°F/68°C 175°F/79°C 200°F/93°C 286°F/141°C 360°F/182°C	135°F/57°C 155°F/68°C 175°F/79°C 200°F/93°C	135°F/57°C 155°F/68°C 175°F/79°C 200°F/93°C 286°F/141°C	135°F/57°C 155°F/68°C 175°F/79°C 200°F/93°C 286°F/141°C	135°F/57°C 155°F/68°C 175°F/79°C 200°F/93°C 286°F/141°C	135°F/57°C 155°F/68°C 175°F/79°C 200°F/93°C	None

‡ Listings and Approvals as of printing. All are approved open, except for areas designated "No".

[^] For K Factor when pressure is measured in Bar, multiply S.I. units by 10.0

V27, K5.6

Standard Spray; Upright, Pendent and Recessed Pendent

MODELS/S.I.N. V2703 AND V2707 STANDARD RESPONSE
MODELS/S.I.N. V2704 AND V2708 QUICK RESPONSE

RATINGS

All glass bulbs are rated for temperatures from -67°F/-55°C to those shown in table below.

Sprinkler Temperature Classification	Victaulic Part Identification	Temperature – °F/°C		Glass Bulb Color
		Nominal Temperature Rating	Maximum Ambient Temperature Allowed	
Ordinary	A	135 57	100 38	Orange
Ordinary	C	155 68	100 38	Red
Intermediate	E	175 79	150 65	Yellow
Intermediate	F	200 93	150 65	Green
High	J	286 141	225 ~ 107	Blue
Extra High ‡	K	360 182	300 149	Purple
– ‡	M	Open	—	No Bulb

‡ Standard response only.

All are approved open, except for areas designated “No”.

~ 150/65 if wax coated.

ORDERING INFORMATION

Please specify the following when ordering:

Sprinkler Model Number	
Style	
Temperature Rating	
K-Factor	
Thread Size	
Quantity	
Sprinkler Finish	
Escutcheon Finish	
Wrench Model Number	




V27, K5.6

Standard Spray; Upright, Pendent and Recessed Pendent

MODELS/S.I.N. V2703 AND V2707 STANDARD RESPONSE
 MODELS/S.I.N. V2704 AND V2708 QUICK RESPONSE



⚠ WARNING

- Always read and understand installation, care, and maintenance instructions, supplied with each box of sprinklers, before proceeding with installation of any sprinklers.
- Always wear safety glasses and foot protection.
- Depressurize and drain the piping system before attempting to install, remove, or adjust any Victaulic piping products.
- Installation rules, especially those governing obstruction, must be strictly followed.
- Painting, plating, or any re-coating of sprinklers (other than that supplied by Victaulic) is not allowed.

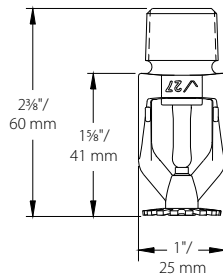
Failure to follow these instructions could result in serious personal injury and/or property damage.

The owner is responsible for maintaining the fire protection system and devices in proper operating condition. For minimum maintenance and inspection requirements, refer to the current National Fire Protection Association document NFPA 25 that describes care and maintenance of sprinkler systems. In addition, the authority having jurisdiction may have additional maintenance, testing, and inspection requirements that must be followed.

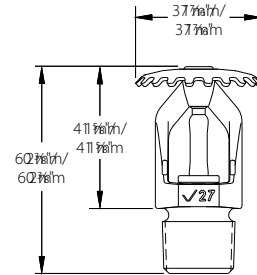
If you need additional copies of this publication, or if you have any questions about the safe installation of this product, contact Victaulic World Headquarters: P.O. Box 31, Easton, Pennsylvania 18044-0031 USA, Telephone: 001-610-559-3300.

DIMENSIONS

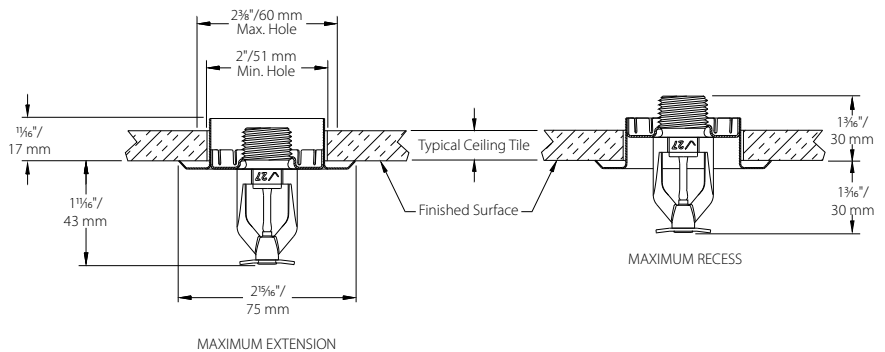
Standard Pendent – V2707, V2708



Standard Upright – V2703, V2704



1/2" Adjustment Recessed – V2707, V2708 (drawing not to scale)



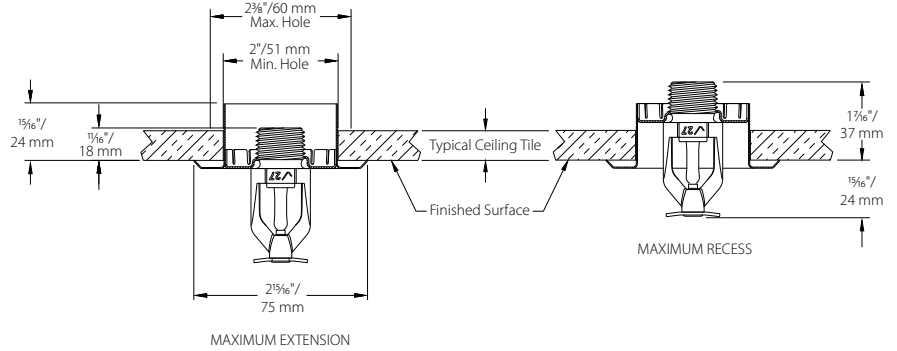
V27, K5.6

Standard Spray; Upright, Pendent and Recessed Pendent

MODELS/S.I.N. V2703 AND V2707 STANDARD RESPONSE
 MODELS/S.I.N. V2704 AND V2708 QUICK RESPONSE

DIMENSIONS

3/4" Adjustment Recessed – V2707, V2708 (drawing not to scale)



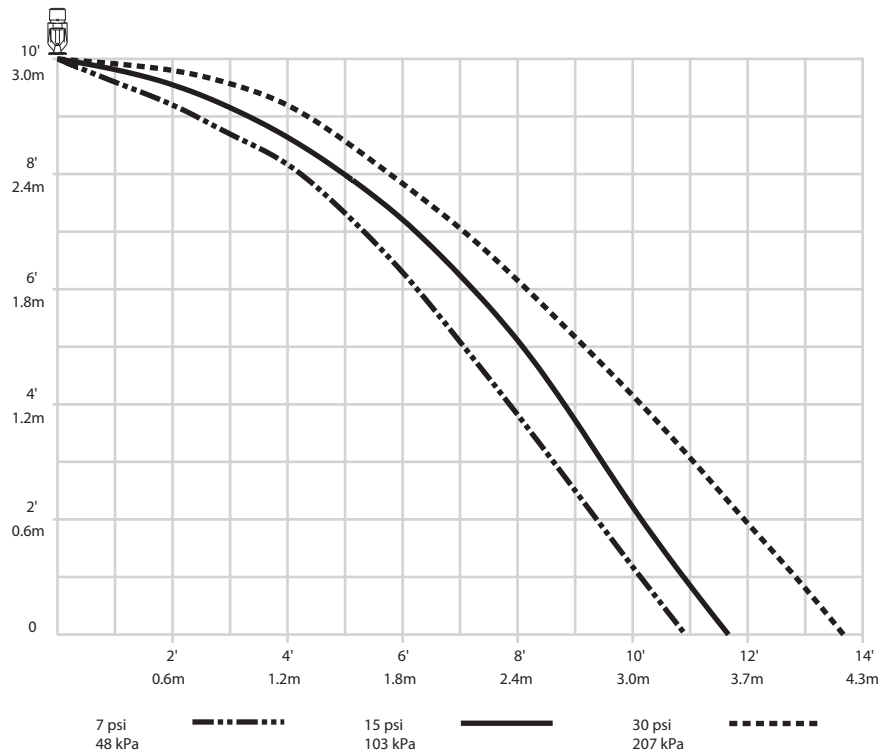
AVAILABLE WRENCHES

Sprinkler Type	V27-2 Recessed	V27 Open End
V2707, V2708 Pendent	yes	yes
V2707, V2708 Recessed Pendent	yes	—
V2703, V2704 Upright	yes	yes

DISTRIBUTION PATTERNS

Models/S.I.N. V2707, V2708

K5.6 standard pendent and recessed pendent distribution patterns – trajectory



See notes on next page.

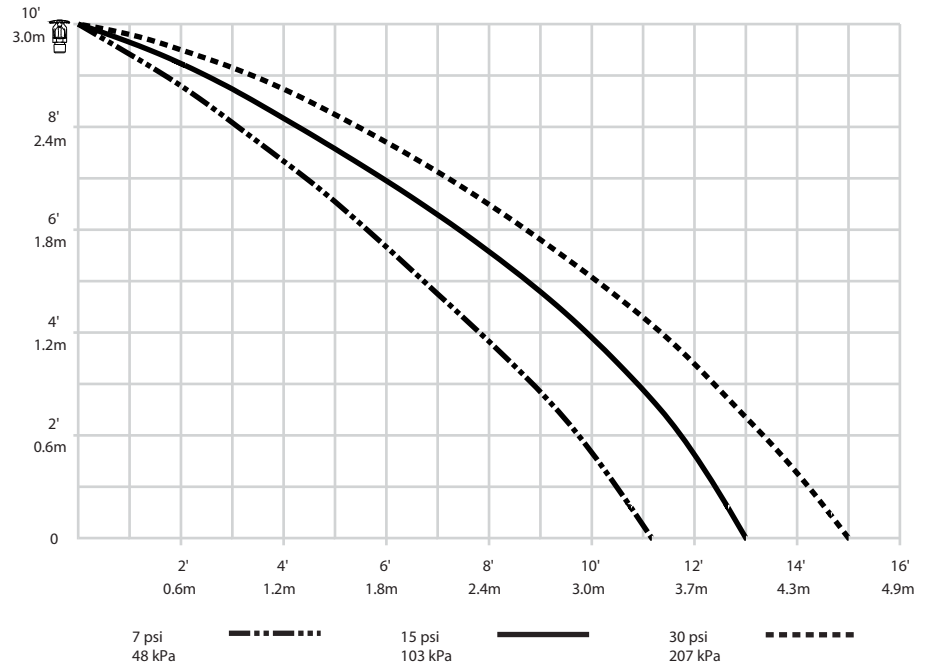
V27, K5.6

Standard Spray; Upright, Pendent and Recessed Pendent

MODELS/S.I.N. V2703 AND V2707 STANDARD RESPONSE
MODELS/S.I.N. V2704 AND V2708 QUICK RESPONSE

DISTRIBUTION PATTERNS

Models/S.I.N. V2703, V2704
K5.6 standard upright distribution patterns – trajectory



NOTES:

- 1 Data shown is approximate and can vary due to differences in installation.
- 2 These graphs illustrate approximate trajectories, floor-wetting, and wall-wetting patterns for these specific Victaulic FireLock automatic sprinklers. They are provided as information for guidance in avoiding obstructions to sprinklers and should not be used as minimum sprinkler spacing rules for installation. Refer to the appropriate NFPA National Fire Code or the authority having jurisdiction for specific information regarding obstructions, spacing limitations and area of coverage requirements. Failure to follow these guidelines could adversely affect the performance of the sprinkler and will void all Listings, Approvals and Warranties.
- 3 All patterns are symmetrical to the centerline of the waterway.

V27, K5.6

Standard Spray; Upright, Pendent and Recessed Pendent

MODELS/S.I.N. V2703 AND V2707 STANDARD RESPONSE

MODELS/S.I.N. V2704 AND V2708 QUICK RESPONSE

WARRANTY

Refer to the Warranty section of the current Price List or contact Victaulic for details.

NOTE

This product shall be manufactured by Victaulic or to Victaulic specifications. All products to be installed in accordance with current Victaulic installation/assembly instructions. Victaulic reserves the right to change product specifications, designs and standard equipment without notice and without incurring obligations.

V27, K5.6

Standard Spray; Upright, Pendent and Recessed Pendent

MODELS/S.I.N. V2703 AND V2707 STANDARD RESPONSE

MODELS/S.I.N. V2704 AND V2708 QUICK RESPONSE



For complete contact information, visit www.victaulic.com

40.10 2544 REV F UPDATED 1/2008

VICTAULIC IS A REGISTERED TRADEMARK OF VICTAULIC COMPANY. © 2008 VICTAULIC COMPANY. ALL RIGHTS RESERVED.

