

L20FA

Turntable ladder



L20FA acc. to EN 14043 / SAMFS Australia

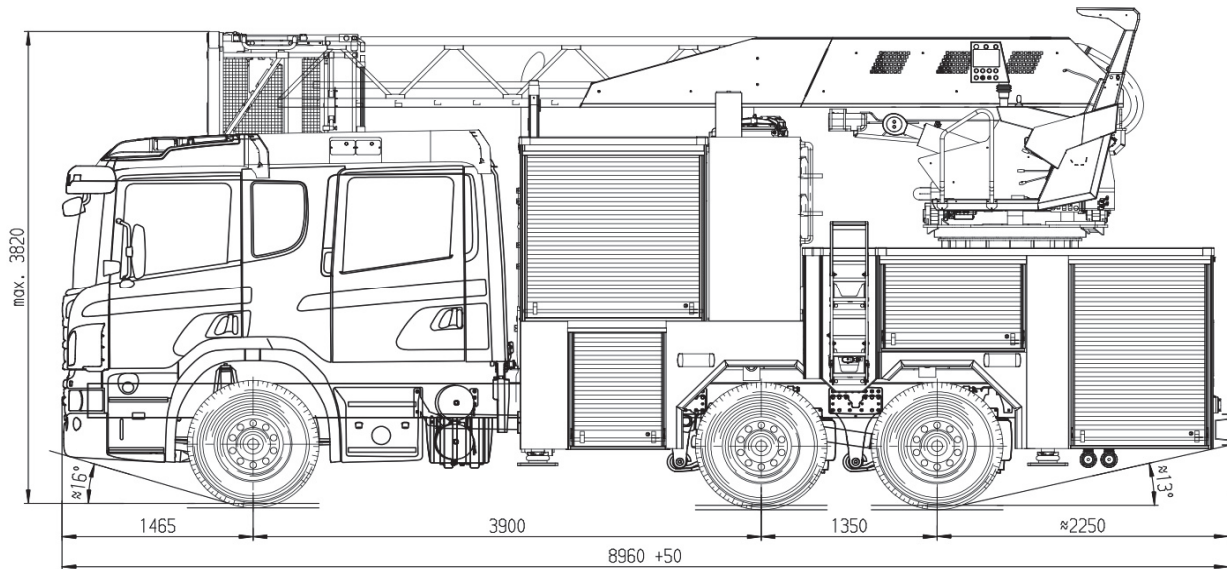


Technical Data

Chassis	Type	Scania P360 LB 6x4 MNA
	Performance	360 hp (265 kW), Euro 5
	Gearbox	Allison automatic
	Drive/wheelbase	6x4, 3.900 + 1.355 mm
	Tyres (front, rear)	315/70 R 22.5
	Suspension	front: leaf, rear: air
Cabin	Crew/type	1+4, CP31
Bodywork	Type	aluminium safety bodywork with 8 locker rooms with roller shutters, colour: RAL 3001
Pump	Type	normal/high-pressure pump Rosenbauer NH45, including Fix-Mix around-the-pump foam proportioner
Tank	Extinguishing agent	water tank: 2000 l capacity
Tank		foam tank: 200 l capacity
Jacking system	Type	vertical
	Jacking width	2.45
Main control panel	Type	main control stand „BASIC PLUS“ with roof, at the left side of the turning frame
Ladder set	Type	L20 (DLAK 12/9), fully automatic, 4 sections, powder-coated, colour: RAL 7016 (anthracite)
	Height	working height: 21,5 m, cage floor height: 19,5 m
	Control system	CAN bus
	Weighing system	3D-load measuring system by means of load measuring bolts. Permanent measurement of loads and forces which act on the ladder set
	Lifting capacity	lifting eye at the base ladder section: up to 2 t, at the ladder tip: up to 600 kg
Rescue cage	Type	foldable rescue cage, capacity: 450 kg (4 persons)
	Accesses	4 accesses, thereof 3 at the front and 1 at the rear. 3 accesses are accessible in upright position (with BAs)
TWS	Type	Telescopic Waterway System (TWS)
Water monitor	Type	Rosenbauer RM15, capacity 2000 l/min, remote-controlled from the main control panel and the cage
Stretcher support	Type	360° rotatable, capacity: 250 kg, combi-type, i.e. also suitable for basket-type stretchers
Electrics	Power	power supply 24 V to the cage
	Generator	Portable generator Rosenbauer RS14, 14 kVA, stowed at the turning frame, remote start/stop of the generator and status indication
Weight	Max. permissible	total 23,0 t, thereof front axle: 6,5 t, thereof rear axle(s): 16,5 t
	Actual	17,8 t (empty, when delivered)
Dimensions	L x w x h	9,010 mm x 2,530 mm x 3,750 mm

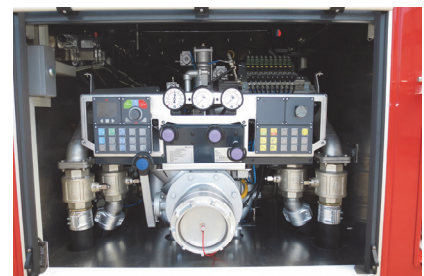
L20FA

Turntable ladder



Further Equipment

- colour display in the cabin
- Bostrom seat for co-driver
- 3 Bostrom seat in the cabin
- colour displays at the jack control panels
- 230 V feed-in socket for external power supply
- 2 LED-beacons in aerodynamic shape on the cabin roof
- LED lights at the front
- LED lights at the vehicle's sides
- LED lights at the rear
- reverse camera at the vehicle's rear, indication at the Metz display in the cabin
- electronic warning signal with public-address function
- back-up warning signal, audible, with switch-off function
- intercom system between main control panel and cage
- Two high-pressure quick-attack hose reels in the locker room with 90 m rigid hose and Rosenbauer branchpipes Nepiro-Ergo. The hose reel is connected with the pump.
- locker room illumination with LEDs
- area illumination lights in acc. with EN1846T2, with LEDs
- LED fill level indicator for the extinguishing liquid tank, located on left and right side of the superstructure
- 2 x adjustable LED lights at the sides of the base ladder section
- lifting eye at the cage fork. Capacity: max. 450 kg (with cage), 600 kg (without cage)
- TMS (Target-Memory-System)
- VRS (vertical-rescue-system)
- stretcher support, 360° turnable, capacity: max. 250 kg
- 2 heavy-duty LED in the cage floor, shining to the front
- 2 LED-lights at the cage front
- 400 V emergency operation, driven by the generator



Contact

Rosenbauer Karlsruhe & Co. KG
Carl-Metz-Straße 9
76185 Karlsruhe, Germany
Tel.: +49 721 5965-0
Fax: +49 721 5965-238

www.rosenbauer.com

www.facebook.com/rosenbauergroup

The illustrations may show optional extras only available at extra charge.
Changes due to technical development reserved.

DS-L20FA-Alu-Alu-Scania-P360-3axle-Euro5-A2T0156-2015-05-05-EN