

# ABC POWDER



**P9P**  
**ABC POWDER**

## PROPERTIES

### Physical and chemical properties

Fluid (resistance to clotting), non-toxic, neutral (no abrasion or corrosion), withstands external conditions (humidity, temperature, frost), high flame penetration capacity, may be used in the presence of an electrical source.

### Extinguishing mechanism

Multi-purpose ABC powder acts:

- on flames, by negative catalysis
- on embers, by cooling and forming a layer of heat-insulating and fireproof "varnish" which coats the fire, preventing it from re-igniting.

When sprayed, ABC powder forms an insulating screen which protects the user from heat radiation.

### Incompatibility

Mono-ammonia phosphate-based ABC powder is strictly incompatible with BC powder, a derivative of sodium bicarbonate. Never use either of these powders to refill a device which has contained the other product.

## EFFICIENCY

### Class A, B or C

The multi-purpose nature of ABC powder is thus perfectly suited to all risks. For solid material fires (class A), it replaces conventional water-based products which may be unsuitable if electrical currents are present. For liquid, liquefiable solid and gas fires, it acts in the same conditions as BC powder and is ideally suited for industrial hazards.

### Class ABC

These complex fires, containing all three types of combustible materials, often combined with an electrical power source, are in practice extremely common. It is therefore safer and more cost-effective not to have different extinguishers for each type of fire. The multi-purpose nature of ABC powder is thus perfectly suited to all risks.

## EASY TO USE

### Operation

Once the safety pin has been removed, press the striking handle to pressurise the extinguisher. The flow rate is controlled by the spray gun. The fact that it is so simple to use means that risks of incorrect use are greatly reduced.

### Pressurisation during use

Striking the internal cartridge releases the propellant (CO<sub>2</sub>), pressurises the body and thus causes the powder to be discharged. The cartridge is interchangeable and its level can be checked accurately by weighing, meaning that the extinguisher can be refilled on site, without having to send it back to the factory. Both preventive and corrective maintenance can therefore be carried out in optimum conditions.

## TECHNICAL PROPERTIES

This extinguisher was designed using highly reliable materials and the latest anti-corrosion protection technologies in order to be ideally suited to industrial environment requirements.

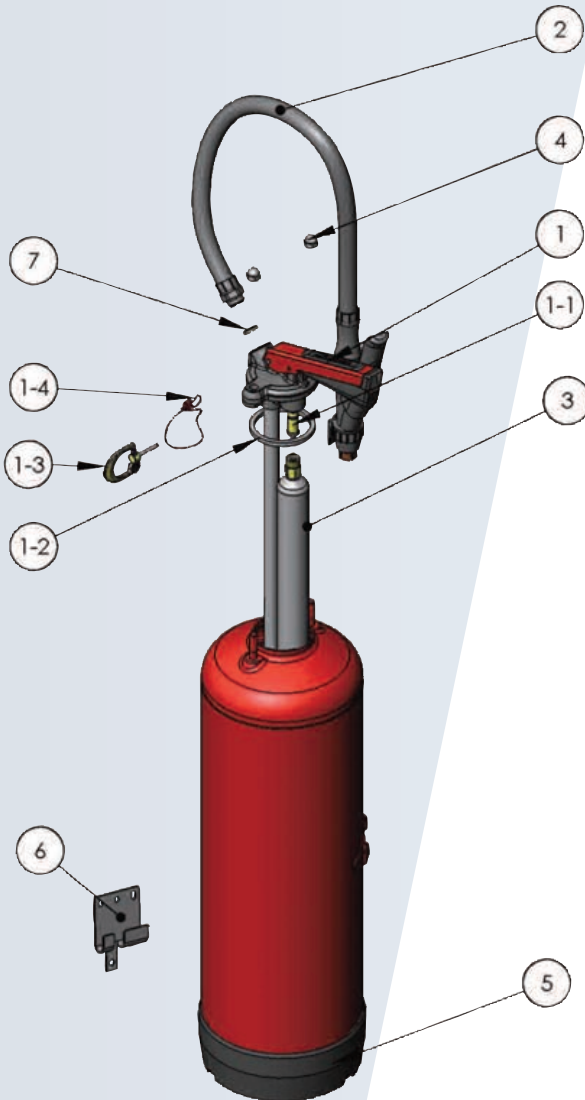
It complies with European standard EN 3 and is one of the highest performance devices in its category.



P9P extinguisher

01-21.0794

## P9P ABC POWDER



### CHARACTERISTICS

#### BODY

Made from high quality sheet steel, in the form of a barrel and two dishes. Thickness 2.0 mm. Surface finished by external shot blasting after hydraulic test. **External protection:** two thermoset coats, one zinc epoxy primer coat, one red polyester powder finish coat, all polymerised at 200°C.

#### OPERATING DEVICE

Fully metallic, black corrosion-resistant electrocoated finish.. Striking handle with ergonomic covering. Lead-sealed safety pin preventing untimely use. Unclogging tube with anti-return membrane.

#### DELIVERY DEVICE

Comprising rotating coupling, hose and ergonomic spray gun. Total length 810 mm.

#### EXTINGUISHING AGENT

ABC powder - 9 kg.

#### PROPELLANT GAS

160 g CO<sub>2</sub> cartridge.

#### BRACKET

Wall-mounting type.

#### TEMPERATURE FOR USE

-30° to +60°C.

#### DIMENSIONS AND WEIGHT

Height: 750 mm - Width: 226 mm - Depth: 177 mm. Weight: 15 kg. Packaging: 745 x 200 x 200 mm - Weight: 16 kg.

#### TYPE APPROVAL

- CE.PED.B.UDM.023.02.FRA
- NF-EN3 certification. EP9 170 284.

#### PERFORMANCE ON STANDARD FIRES

- 43A - 233B - C.

ο ΕΝ	№	α Εξάρτημα
1	03-07.556	Head M18 without CO <sub>2</sub> cartridge
1JN	03-07.790	Striking pin
1JO	03-12.250	Valve seal
1JP	03-11.766	Yellow safety pin
1JQ	03-06.9242	Lead seals - bag of 90
2	03-07.015	Spray gun with hose
3	03-10.503	160 g CO <sub>2</sub> cartridge - D15
4	03-11.470	M8 zinc headcap nuts
5	03-08.156	Base protective
6	03-13.801	Wall bracket
7	03-07.696	Powder bursting disk
8	02-20.310	9 kg ABC powder
	03-12.346	α Εξάρτημα

### INSTRUCTIONS FOR USE



1- Pull out the safety pin by pulling the ring



2- Strike by pressing the handle



3- Press the spray gun lever and direct the jet at the base of the flames