



# RRTM-ES Roof Robot Series

*Roof robot lighting systems for fire trucks  
and medium-sized vehicles*

**NEW  
STANDARD  
VERSION**

with stainless  
steel frame and  
light-weight  
aluminium covers.



**MOBILE, PORTABLE & EMERGENCY LIGHTING**

# Amazingly easy to operate !

# 1



Stowage position

# 2



Lighting mast raised, ready to extend

# 3

Mast in extended position



*Here are the features that make fitting and operating this system so easy:*

1. Electric system powered from the 12/24 volt vehicle battery and controlled by a cable remote control.
2. It is possible to operate the roof robot system with a single or double cable remote control, with or without RF remote control.
3. When the operation is over, a simple push of the button "mast down/park" turns the lamps to the stowage position, retracts the mast and folds it to the horizontal position. This cycle may also be automatically started by the release of the vehicle handbrake.
4. Air-operated telescopic mast based on proven TF 400 series.
5. Robot Lighting Head tilts maximum 90° down and 180° up and turns also 180° to the left and to the right from zero position, at the touch of a button.
6. Lamps can be either 12/24 volt or 110/230 volt if there is a generator on board.
7. All Roof Robot Lighting Systems are also available with deadman function for the push button "mast up/raise".

# Remote Controls

## Cable Remote Control



### Functions

- To extend the mast
- To switch the lighting left (lights 1) and right (lights 2) "on" and "off"
- Beacon switch
- To turn and tilt the lamps in any direction
- Automatic return to stowed position (also when releasing the handbrake)

#### Cable Remote Control-YH

Cat. No. 27723 (English)

Cat. No. 27724 (German)

1,5 metre spiral cable + 10 metres linear cable



#### Cable Remote Control-LV

Cat. No. 27731

1,25 metre spiral cable + 10 metres linear cable

## RF Remote Control Kit (Optional)



#### RF Remote Control Kit

Cat. No. 27729

- Kit contents :
- RF Remote control
  - Rechargeable battery
  - 110/230 Volt charger
  - 12/24 Volt car charger

# Mast specifications

## **Telescopic Mast**

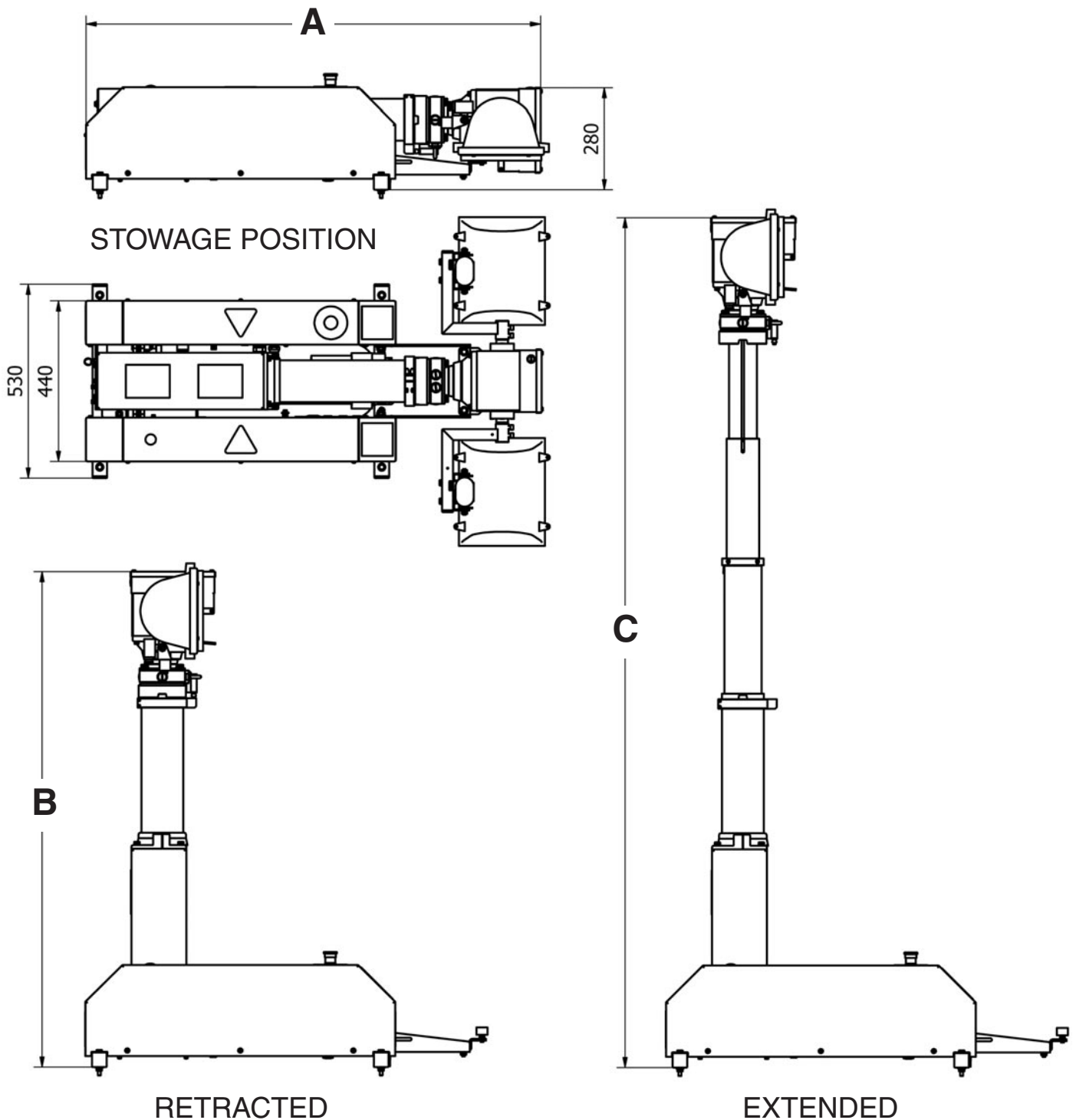
An air-operated telescopic mast with internal electrical spiral cable lifts the Robot Lighting Head above the level of the vehicle roof.

The mast is based on the Teklite TF 400XE mast which has the advantage of the reliability gained over 30 years for thousands made.

The telescopic mast of the roof robot can be fed by either :

1. the standard built-in air compressor or
2. the air pressure tank of the vehicle.

## **Dimensions (mm)**



**RRTM-ES 1.7/4 Models** (A = 1090 mm; B = 1200 mm; C = 1700 mm)

Cat. No.	Description	Total weight
38275	RRTM-ES 1.7/4 / Built-in Compressor 12V	55 kg
38276	RRTM-ES 1.7/4-DF / Built-in Compressor 12V with deadman function (push button "mast up/raise")	55 kg
38277	RRTM-ES 1.7/4 / Built-in Compressor 24V	55 kg
38278	RRTM-ES 1.7/4-DF / Built-in Compressor 24V with deadman function (push button "mast up/raise")	55 kg
38279	RRTM-ES 1.7/4 / Air Pressure Regulator 12V	55 kg
38280	RRTM-ES 1.7/4-DF / Air Pressure Regulator 12V with deadman function (push button "mast up/raise")	55 kg
38281	RRTM-ES 1.7/4 / Air Pressure Regulator 24V	55 kg
38282	RRTM-ES 1.7/4-DF / Air Pressure Regulator 24V with deadman function (push button "mast up/raise")	55 kg

**RRTM-ES 2.4/4 Models** (A = 1270 mm; B = 1380 mm; C = 2350 mm)

Cat. No.	Description	Total weight
38283	RRTM-ES 2.4/4 / Built-in Compressor 12V	60 kg
38284	RRTM-ES 2.4/4-DF / Built-in Compressor 12V with deadman function (push button "mast up/raise")	60 kg
38285	RRTM-ES 2.4/4 / Built-in Compressor 24V	60 kg
38286	RRTM-ES 2.4/4-DF / Built-in Compressor 24V with deadman function (push button "mast up/raise")	60 kg
38287	RRTM-ES 2.4/4 / Air Pressure Regulator 12V	60 kg
38288	RRTM-ES 2.4/4-DF / Air Pressure Regulator 12V with deadman function (push button "mast up/raise")	60 kg
38289	RRTM-ES 2.4/4 / Air Pressure Regulator 24V	60 kg
38290	RRTM-ES 2.4/4-DF / Air Pressure Regulator 24V with deadman function (push button "mast up/raise")	60 kg

**RRTM-ES 3.3/4 Models** (A = 1470 mm; B = 1590 mm; C = 3250 mm)

Cat. No.	Description	Total weight
38291	RRTM-ES 3.3/4 / Built-in Compressor 12V	67 kg
38292	RRTM-ES 3.3/4-DF / Built-in Compressor 12V with deadman function (push button "mast up/raise")	67 kg
38293	RRTM-ES 3.3/4 / Built-in Compressor 24V	67 kg
38294	RRTM-ES 3.3/4-DF / Built-in Compressor 24V with deadman function (push button "mast up/raise")	67 kg
38295	RRTM-ES 3.3/4 / Air Pressure Regulator 12V	67 kg
38296	RRTM-ES 3.3/4-DF / Air Pressure Regulator 12V with deadman function (push button "mast up/raise")	67 kg
38297	RRTM-ES 3.3/4 / Air Pressure Regulator 24V	67 kg
38298	RRTM-ES 3.3/4-DF / Air Pressure Regulator 24V with deadman function (push button "mast up/raise")	67 kg

# Lamp choice

## RRTM-ES 1.7/4

Cat. No.	Model	Volt	Ampere	Lumens
25268	2 x 35 Watt Xenon	24	3,0	7.000
25277	2 x 100 Watt Xenophot*	12	16,7	7.200
25278	2 x 150 Watt Xenophot*	24	12,5	12.000
27300	2 x 300 Watt Xenophot*	24	25,0	24.000
25279	2 x 500 Watt Halogen*	230	4,4	19.000
27301	2 x 750 Watt Halogen*	230	6,5	33.000
27302	2 x 1000 Watt Halogen*	230	8,7	44.000
27304	2 x 1500 Watt Halogen*	230	13,0	72.000
25110	2 x 250 Watt HP Sodium	24	23,0	54.000
27316	2 x 400 Watt HP Sodium*	230	9,0	110.000
27321	2 x 400 Watt Metal Halide*	230	9,0	66.000
27326	1 x 400 Watt HP Sodium + 1 x 400 Watt Metal Halide*	230	9,0	88.000
35911	2 x 55 Watt SMD-LED*	12	10,6	11.000
35916	2 x 55 Watt SMD-LED*	24	4,8	11.000

## RRTM-ES 2.4/4

Cat. No.	Model	Volt	Ampere	Lumens
25273	2 x 70 Watt HP Sodium*	12	12,5	13.000
25274	2 x 70 Watt HP Sodium*	24	7,0	13.000
25275	2 x 70 Watt Metal Halide*	12	13,0	10.000
25276	2 x 70 Watt Metal Halide*	24	7,4	10.000
27280	1 x 70 Watt HP Sodium + 1 x 70 Watt Metal Halide*	12	12,8	11.500
27285	1 x 70 Watt HP Sodium + 1 x 70 Watt Metal Halide*	24	7,2	11.500
25268	2 x 35 Watt Xenon	24	3,0	7.000
25277	2 x 100 Watt Xenophot*	12	16,7	7.200
25278	2 x 150 Watt Xenophot*	24	12,5	12.000
27300	2 x 300 Watt Xenophot*	24	25,0	24.000
25279	2 x 500 Watt Halogen*	230	4,4	19.000
27301	2 x 750 Watt Halogen*	230	6,5	33.000
25280	2 x 1000 Watt Halogen*	230	8,7	44.000
25860	2 x 1500 Watt Halogen*	230	13,0	72.000
25108	2 x 250 Watt HP Sodium	24	23,0	54.000
27315	2 x 400 Watt HP Sodium*	230	9,0	110.000
27320	2 x 400 Watt Metal Halide*	230	9,0	66.000
27325	1 x 400 Watt HP Sodium + 1 x 400 Watt Metal Halide*	230	9,0	88.000
35911	2 x 55 Watt SMD-LED*	12	10,6	11.000
35916	2 x 55 Watt SMD-LED*	24	4,8	11.000
27335	4 x 70 Watt HP Sodium*	24	14,0	26.000
27345	4 x 70 Watt Metal Halide*	24	14,8	20.000
27355	2 x 70 Watt HP Sodium + 2 x 70 Watt Metal Halide*	24	14,4	23.000
25269	4 x 35 Watt Xenon	24	5,9	14.000
25281	4 x 150 Watt Xenophot*	24	25,0	24.000
25282	4 x 500 Watt Halogen*	230	8,7	38.000
27366	4 x 750 Watt Halogen*	230	13,0	66.000
25283	4 x 1000 Watt Halogen*	230	17,4	88.000
25861	4 x 1500 Watt Halogen*	230	26,2	144.000
35921	4 x 55 Watt SMD-LED*	12	21,2	22.000
35926	4 x 55 Watt SMD-LED*	24	9,6	22.000
33425	6 x 35 Watt Xenon	24	9,0	21.000
33435	6 x 500 Watt Halogen*	230	13,0	57.000

All roof robots are available with beacon (option). Put a "B" after the **roof robot cat. no.** for ordering purposes.

\* Lamp unit available with lamp protection guard (option). Put a "P" after the **lamp unit cat. no.** for ordering purposes.

### Remark :

**For information regarding High Power (150 Watt) and Super Power (220 Watt) LED lighting sets, please contact your dealer or Teklite Sales Office.**

# RRTM-ES 3.3/4

Cat. No.	Model	Volt	Ampere	Lumens
25273	2 x 70 Watt HP Sodium*	12	12,5	13.000
25274	2 x 70 Watt HP Sodium*	24	7,0	13.000
25275	2 x 70 Watt Metal Halide*	12	13,0	10.000
25276	2 x 70 Watt Metal Halide*	24	7,4	10.000
27280	1 x 70 Watt HP Sodium + 1 x 70 Watt Metal Halide*	12	12,8	11.500
27285	1 x 70 Watt HP Sodium + 1 x 70 Watt Metal Halide*	24	7,2	11.500
25268	2 x 35 Watt Xenon	24	3,0	7.000
25277	2 x 100 Watt Xenophot*	12	16,7	7.200
25278	2 x 150 Watt Xenophot*	24	12,5	12.000
27300	2 x 300 Watt Xenophot*	24	25,0	24.000
25279	2 x 500 Watt Halogen*	230	4,4	19.000
27301	2 x 750 Watt Halogen*	230	6,5	33.000
25280	2 x 1000 Watt Halogen*	230	8,7	44.000
25860	2 x 1500 Watt Halogen*	230	13,0	72.000
25108	2 x 250 Watt HP Sodium	24	23,0	54.000
27315	2 x 400 Watt HP Sodium*	230	9,0	110.000
27320	2 x 400 Watt Metal Halide*	230	9,0	66.000
27325	1 x 400 Watt HP Sodium + 1 x 400 Watt Metal Halide*	230	9,0	88.000
35911	2 x 55 Watt SMD-LED*	12	10,6	11.000
35916	2 x 55 Watt SMD-LED*	24	4,8	11.000
27335	4 x 70 Watt HP Sodium*	24	14,0	26.000
27345	4 x 70 Watt Metal Halide*	24	14,8	20.000
27355	2 x 70 Watt HP Sodium + 2 x 70 Watt Metal Halide*	24	14,4	23.000
25269	4 x 35 Watt Xenon	24	5,9	14.000
25281	4 x 150 Watt Xenophot*	24	25,0	24.000
25282	4 x 500 Watt Halogen*	230	8,7	38.000
27366	4 x 750 Watt Halogen*	230	13,0	66.000
25283	4 x 1000 Watt Halogen*	230	17,4	88.000
25861	4 x 1500 Watt Halogen*	230	26,2	144.000
35921	4 x 55 Watt SMD-LED*	12	21,2	22.000
35926	4 x 55 Watt SMD-LED*	24	9,6	22.000
33425	6 x 35 Watt Xenon	24	9,0	21.000
33435	6 x 500 Watt Halogen*	230	13,0	57.000
33440	6 x 750 Watt Halogen*	230	19,6	99.000
33445	6 x 1000 Watt Halogen*	230	26,0	132.000
35931	6 x 55 Watt SMD-LED*	12	31,8	33.000
35936	6 x 55 Watt SMD-LED*	24	14,4	33.000



**MOBILE, PORTABLE & EMERGENCY LIGHTING**

**Effortless for the user ...**



**Easy for the installer too !**

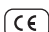
**Teklite™**

All details given in this publication are approximate and may be subject to change without notice.

Distributor :

**TEKSAM COMPANY NV**, Woudstraat 21, 3600 Genk, Belgium  
Tel : +32 (0)89 38 44 72 Fax : +32 (0)89 38 61 41 E-mail : [info@teksamco.com](mailto:info@teksamco.com) Website : [www.teklite.com](http://www.teklite.com)

TEKLITE is a division of Teksam Company NV

ISO 9001:2008 

PP 1755/E NV MM 01/01/14

**MOBILE, PORTABLE & EMERGENCY LIGHTING**